

DS70-450BL1

SPECIFICATIONS

GENERAL

Min. screen size*	17
Max. screen size*	42
Min. weight	1
Max. weight	15
Max. weight	11
curved/ultra-wide	
Screens	1
Curve radius range	1500R - 4000R
Desk mount	Grommet Clamp
Distance to wall	10,8-56,8 cm
VESA maximum	100x100 mm
VESA minimum	75x75 mm

FUNCTIE

Type	Full motion
Height adjustment	26,1-55,5 cm
Width adjustment	92 cm
Depth adjustment	5,4-51,1 cm
Tilt (degrees)	+45°, -45°
Swivel (degrees)	+90°, -90°
Rotate (degrees)	+180°, -180°
Height	65,3 cm
Width	12 cm
Depth	56,8 cm
Adjustment type	Gas spring

INFORMATION

Series	NEXT Core
Color	Black
Main material	Steel
Warranty	5 year

*Please note: The inch sizes stated are just an indication, combined with the weight and VESA sizes. The maximum weight and VESA size are absolute restrictions for the products and should not be exceeded.

NEOMOUNTS DS70-450BL1 MONITOR ARM 17-42" - GAS SPRING - TOPFIX - 180°-STOP



Neomounts NEXT Core DS70-450BL1 Single monitor arm - 17-42" - 1-15 kg (curved 11 kg) - gas spring - 180°-stop - Topfix - Easy Install-model - 100% plastic-free packaging - black

The Neomounts DS70-450BL1 NEXT Core is a full motion desk mount for one flat screen up to 42" with a maximum weight capacity of 15 kg. The versatile tilt (90°), rotate (360°) and swivel (180°) technology allows the mount to change to any viewing angle to fully benefit from the capabilities of the screen. Additionally, the mount has gas spring height adjustment (26,1-55 cm) and depth adjustment (0-51,4 cm), to create the perfect working position.

The DS70-450BL1 NEXT Core features the nifty 180° stop mechanism, that allows you to safely adjust the mount even when it's placed close to a wall or separation panel without making contact with the wall. The smart cable management system ensures orderly routing of the cables.

The DS70-450BL1 is suitable for screens that meet VESA hole pattern 75x75 or 100x100 mm. Unused hole patterns can be covered using one of Neomounts VESA adapter plates. The desk mount is equipped with a Quick-release VESA system and comes with both a topfix clamp and grommet for quick and easy installation.

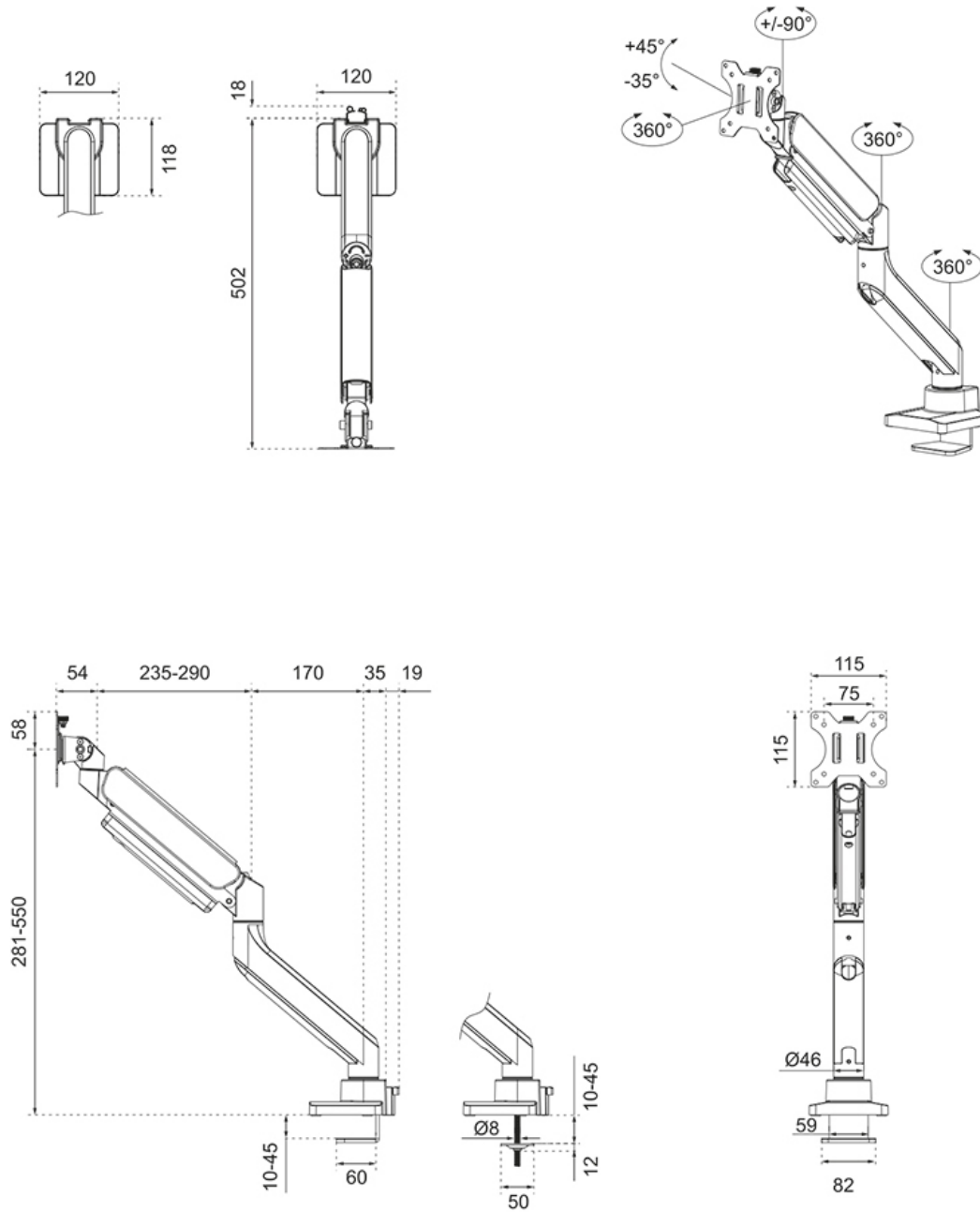
The inner packaging of the NEXT Core is plastic free and made from cardboard and paper.

For wall installation, the AWL75-450BL wall adapter is optionally available.



DS70-450BL1

NEOMOUNTS DS70-450BL1 MONITOR ARM 17-42" - GAS SPRING - TOPFIX - 180°-STOP



Neomounts

Measuring unit: mm