

THINCLIENT-10

SPECIFICATIONS

GENERAL

Min. weight	0
Max. weight	10
VESA maximum	100x100 mm
VESA minimum	50x50 mm

FUNCTIE

Type	Fixed
Height adjustment	13,8 cm
Width adjustment	5,2-10 cm
Adjustment type	None

INFORMATION

Color	Silver
Main material	Steel
Warranty	5 year

*Please note: The inch sizes stated are just an indication, combined with the weight and VESA sizes. The maximum weight and VESA size are absolute restrictions for the products and should not be exceeded.

NEOMOUNTS THINCLIENT-10 MINI PC HOLDER - MAX 10 KG - UNIVERSAL



Neomounts THINCLIENT-10 Mini PC/NUC/Thin client holder - max 10 kg - VESA 50x50-100x100 - w 5,2-10 cm - universal - silver

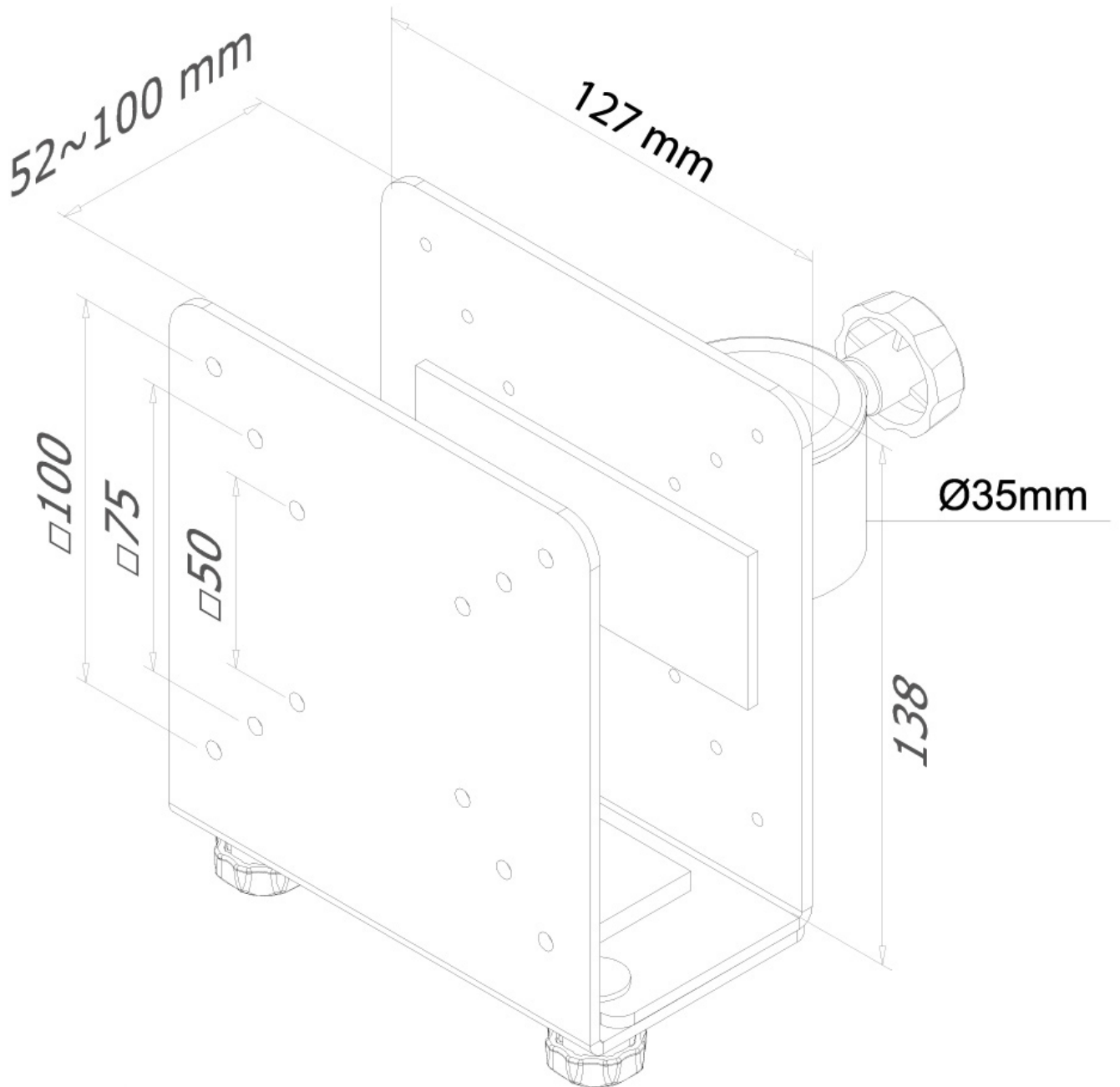
With the Neomounts THINCLIENT-10, a thin client can easily be installed on a monitor arm, creating more workspace. It also protects the thin client from dust, dirt and/or theft.

The holder is adjustable in depth, making it suitable for most thin client models. See the line drawing for the exact dimensions of the holder.

The THINCLIENT-10 can be combined with the following specific Neomounts monitor arms: FPMA-D935, FPMA-D935G, FPMA-D935D, FPMA-D935D4, FPMA-D960, FPMA-D960D, FPMA-D965 and the FPMA-D1330 series. In addition, the holder is suitable for supports with a \varnothing 35 mm rod.

THINCLIENT-10

NEOMOUNTS THINCLIENT-10 MINI PC HOLDER -
MAX 10 KG - UNIVERSAL



Neomounts

Measuring unit: mm