

ABL-875

SPECIFICATIONS

FUNCTIE

Adjustment type None

INFORMATION

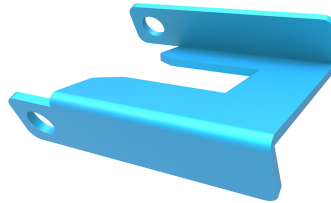
Series MOVE Lift

Main material Steel

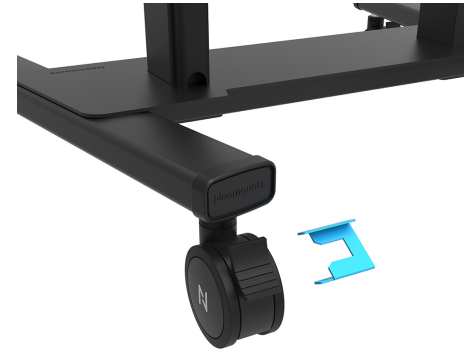
Warranty 5 year

*Please note: The inch sizes stated are just an indication, combined with the weight and VESA sizes. The maximum weight and VESA size are absolute restrictions for the products and should not be exceeded.

NEOMOUNTS ABL-875 WHEEL LOCK SET FOR TROLLEYS (2 PCS)



Neomounts



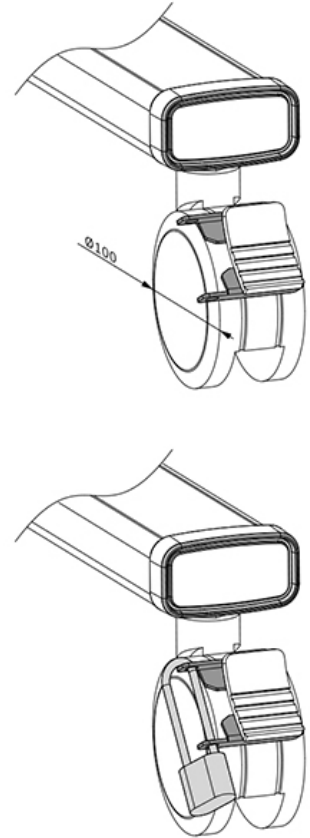
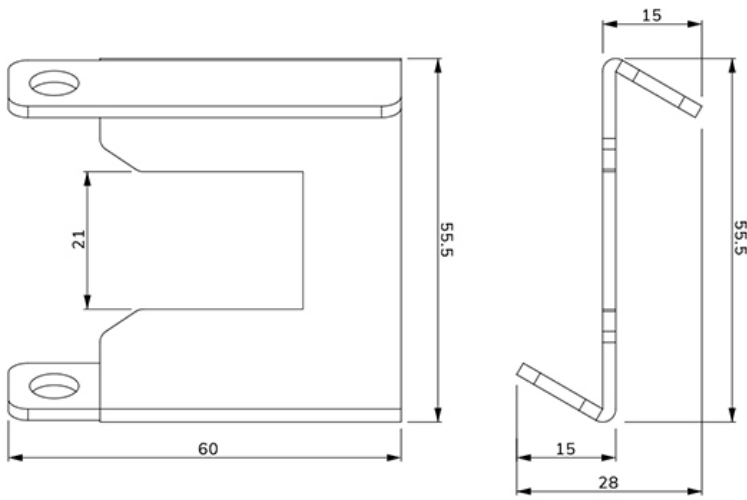
Neomounts

Neomounts MOVE ABL-875 Wheel lock set for trolleys (2 pcs) - lockable (excl. lock) - suitable for FL55-875BL1/WH1, FL50S-825BL1/WH1, FL50-525/575BL1/WH1

The Neomounts ABL-875 is a brake lock for the castor wheels of the FL50S-825 and FL55-875 trolleys. To prevent unwanted relocation of the trolley, the brake of the double castor wheels can be blocked using the ABL-875. The locks can be easily placed on the wheels of the trolley (padlock not included), preventing the brake from being released. The bright blue color is a clear reminder for the user that the wheel have been locked. The ABL-875 comes as a set of 2 brake locks.

ABL-875

NEOMOUNTS ABL-875 WHEEL LOCK SET FOR TROLLEYS (2 PCS)



Neomounts

Measuring unit: mm