

DS70PLUS-450BL1

SPECIFICATIONS

GENERAL

Min. screen size*	17
Max. screen size*	49
Min. weight	1
Max. weight	18
Max. weight	14
curved/ultra-wide	
Curve radius range	1500R - 4000R
Screens	1
VESA minimum	75x75 mm
VESA maximum	100x100 mm
Desk mount	Grommet
	Clamp
Distance to wall	10,8-56,8 cm

FUNCTIE

Type	Full motion
Height adjustment	26,1-55,5 cm
Width adjustment	92 cm
Depth adjustment	5,4-51,1 cm
Tilt (degrees)	+45°, -45°
Swivel (degrees)	+90°, -90°
Rotate (degrees)	+180°, -180°
Height	65,3 cm
Width	12 cm
Depth	56,8 cm
Adjustment type	Gas spring

INFORMATION

Color	Black
Main material	Steel
Warranty	5 year

*Please note: The inch sizes stated are just an indication, combined with the weight and VESA sizes. The maximum weight and VESA size are absolute restrictions for the products and should not be exceeded.

NEOMOUNTS DS70PLUS-450BL1 MONITOR ARM 17-49" - GAS SPRING - TOPFIX - 180°-STOP



Neomounts



Neomounts

Neomounts NEXT Core DS70PLUS-450BL1 Single monitor arm - 17-49" - 1-18 kg (curved 14 kg) - gas spring - 180°-stop - Topfix - Easy Install-model - 100% plastic-free packaging - black

The Neomounts DS70PLUS-450BL1 NEXT Core is a full motion desk mount for curved ultra-wide screens up to 49". The mount features a strengthened head specifically designed for curved ultra-wide screens and to support a higher maximum weight up to 18 kg (curved 14 kg). The versatile tilt (90°), rotate (360°) and swivel (180°) technology allows the mount to change to any viewing angle to fully benefit from the capabilities of the screen. Additionally, the mount has gas spring height adjustment (26,1-55 cm) and depth adjustment (5,4-49,7 cm), to create the perfect working position.

The DS70PLUS-450BL1 NEXT Core features the nifty 180° stop mechanism, that allows you to safely adjust the mount even when it's placed close to a wall or separation panel without making contact with the wall. The smart cable management system ensures orderly routing of the cables.

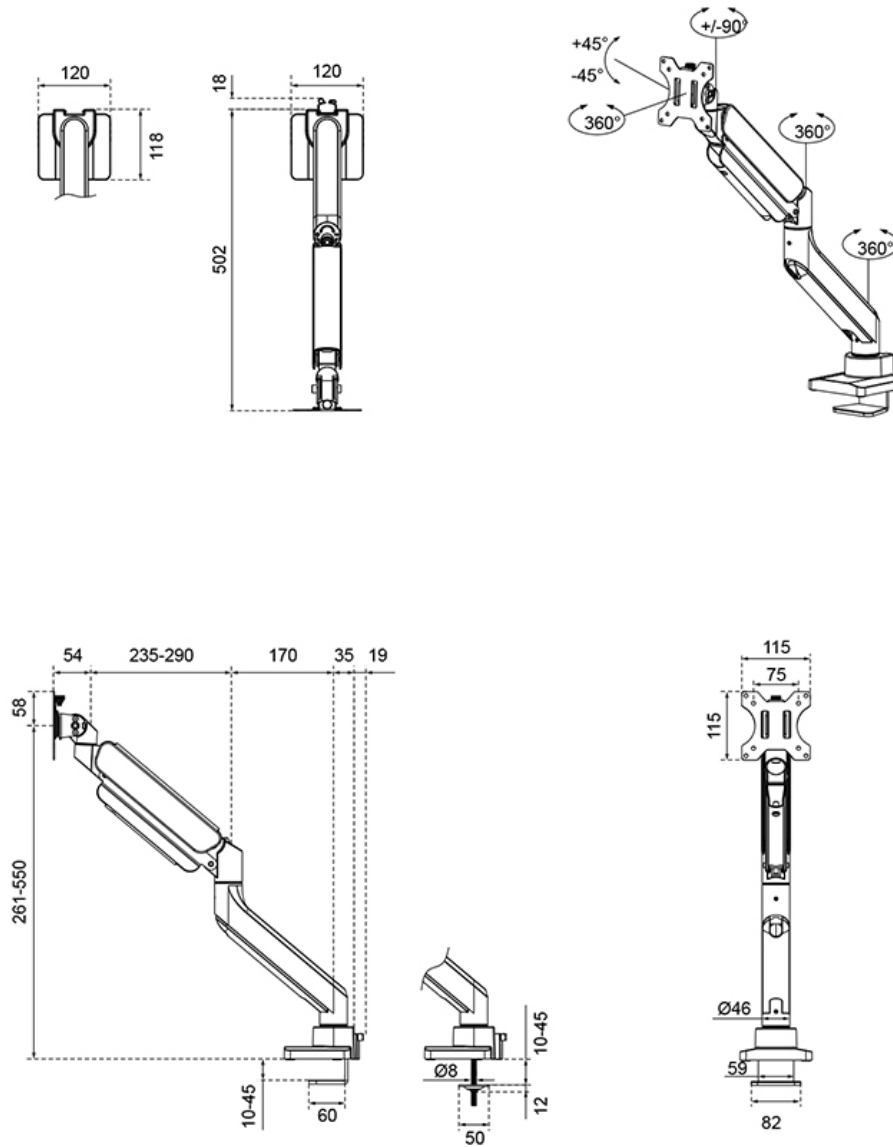
The DS70PLUS-450BL1 is suitable for screens that meet VESA hole pattern 75x75 or 100x100 mm. For non-standard hole patterns, Neomounts has various VESA optional adapter plates available. The desk mount is equipped with an Quick-release VESA system and comes with both a topfix clamp and grommet for quick and easy installation.

The packaging of the NEXT Core is 100% plastic free and entirely made from cardboard and paper.

For wall installation, the AWL75-450BL wall adapter is optionally available.

DS70PLUS-450BL1

NEOMOUNTS DS70PLUS-450BL1 MONITOR ARM 17-49" - GAS SPRING - TOPFIX - 180°-STOP



Neomounts