

DS70-250SL1

SPECIFICATIONS

GENERAL

Min. screen size*	17
Max. screen size*	35
Min. weight	1
Max. weight	9
Max. weight	8
curved/ultra-wide	
Screens	1
Curve radius range	1500R - 4000R
Desk mount	Grommet Clamp
Distance to wall	12,5-58 cm
VESA maximum	100x100 mm
VESA minimum	75x75 mm

FUNCTIE

Type	Full motion
Height adjustment	21,5-49,5 cm
Width adjustment	91 cm
Depth adjustment	7-52,5 cm
Lockable	Not lockable
Tilt (degrees)	+45°, -45°
Swivel (degrees)	+90°, -90°
Rotate (degrees)	+180°, -180°
Height	55,2 cm
Width	11,4 cm
Depth	58 cm
Adjustment type	Gas spring

INFORMATION

Series	NEXT Slim
Color	Silver
Main material	Aluminium
Warranty	5 year

*Please note: The inch sizes stated are just an indication, combined with the weight and VESA sizes. The maximum weight and VESA size are absolute restrictions for the products and should not be exceeded.

NEOMOUNTS DS70-250SL1 MONITOR ARM 17-35" - GAS SPRING - TOPFIX - 180°-STOP



Neomounts NEXT Slim DS70-250SL1 Single monitor arm - 17-35" - 1-9 kg (curved 8 kg) - gas spring - 180°-stop - Topfix - Easy Install-model - 100% plastic-free packaging - silver

The Neomounts DS70-250SL1 NEXT Slim is a full motion desk mount designed for screens up to 35", boasting a maximum weight capacity of 9 kg suitable for both flat and curved displays. The versatile tilt (90°), rotate (360°) and swivel (180°) technology enables seamless adjustment to any desired viewing angle to fully optimize the screen's capabilities. With the gas spring height adjustment (21,5-49,5 cm) and depth adjustment (7-52,5 cm) you can effortlessly adjust the mount to suit your ergonomic needs.

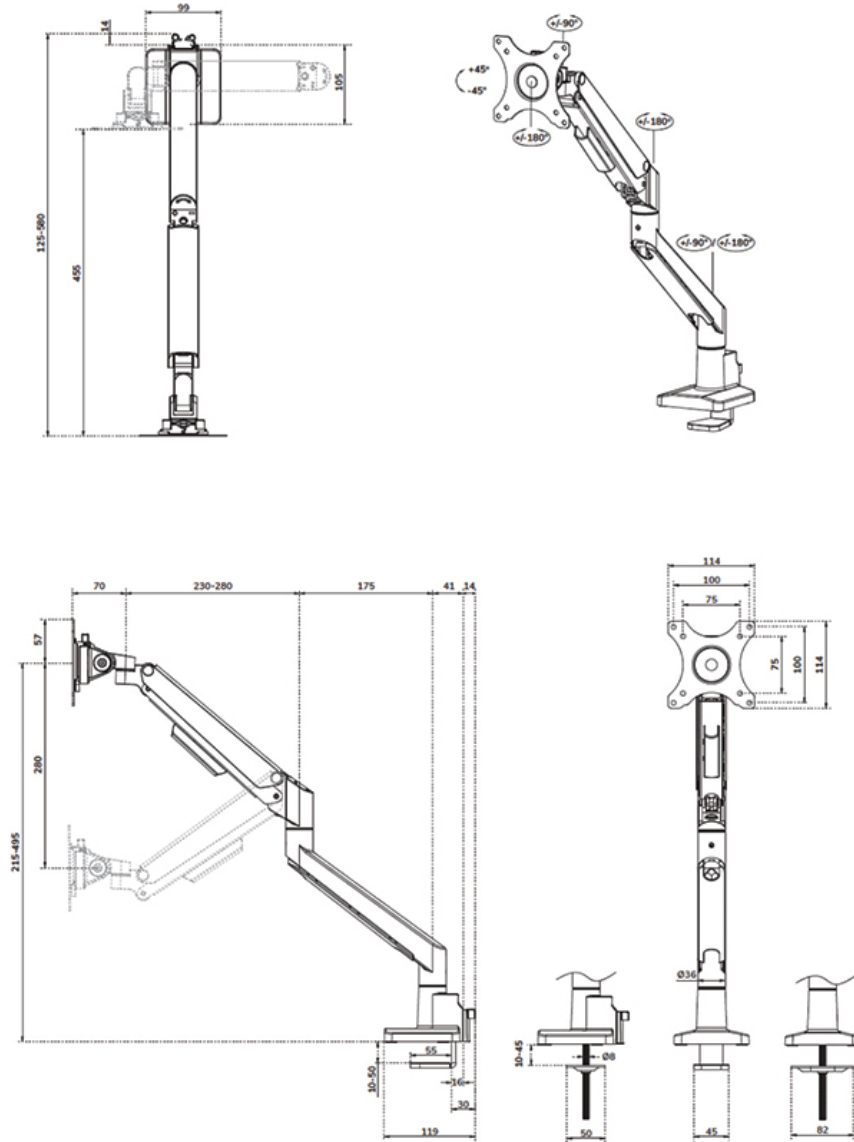
The DS70-250SL1 monitor arm features a nifty 180° stop mechanism, that prevents the mount from making contact with wall or separation panel when installed near it, while the integrated cable management system maintains a clutter-free desk.

The elegant black VESA plates of the NEXT Slim provide a perfect match with your screen, accommodating standard 75x75 or 100x100 mm VESA patterns. For non-standard hole patterns, Neomounts has various VESA optional adapter plates available. The Quick-release VESA system enables easy setup, while the topfix clamp or grommet ensures a quick and straightforward installation.

Committed to sustainability, the packaging of NEXT Slim desk mounts is 100% plastic-free and entirely made from recyclable cardboard and paper.

DS70-250SL1

NEOMOUNTS DS70-250SL1 MONITOR ARM 17-35" -
GAS SPRING - TOPFIX - 180°-STOP



Neomounts

Measuring unit: mm