

Q28-100GP4-BXD3129-20-N1-I-AO

Alcatel-Lucent Nokia® Compatible TAA 100GBase-BX LR1 PAM4 QSFP28 Transceiver Single Lambda (SMF, 1311nmTx/1291nmRx, 20km, LC, DOM, -40 to 85C)

Features

- Compliant with Industry Standards 100G-LR1-20 Lambda MSA
 - PIN Receiver
 - Compliant with SFF-8661, SFF-8636, and SFF-8679 MSA
- Hardware Specifications
- Up to 20km on 9/125µm SMF
 - Operating Temperature: -40 to 85 Celsius
 - EML Laser
 - RoHS Compliant and Lead-Free



Applications

- Datacenter
- 100GBase Ethernet

Product Description

This Alcatel-Lucent Nokia® QSFP28 transceiver provides 100GBase-BX LR1 throughput up to 20km over single-mode fiber (SMF) using a wavelength of 1311nmTx/1291nmRx via an LC connector. It is guaranteed to be 100% compatible with the equivalent Alcatel-Lucent Nokia® transceiver. This easy to install, hot swappable transceiver has been programmed, uniquely serialized and data-traffic and application tested to ensure that it will initialize and perform identically. Digital optical monitoring (DOM) support is also present to allow access to real-time operating parameters. This transceiver is Trade Agreements Act (TAA) compliant. We stand behind the quality of our products and proudly offer a limited lifetime warranty.

AddOn's transceivers are RoHS compliant and lead-free.

TAA refers to the Trade Agreements Act (19 U.S.C. & 2501-2581), which is intended to foster fair and open international trade. TAA requires that the U.S. Government may acquire only "U.S. – made or designated country end products."



Absolute Maximum Ratings

Parameter	Symbol	Min.	Typ.	Max.	Unit	Notes
Operating Temperature	Tc	-40		85	°C	
Storage Temperature	Tstg	-40		85	°C	
Relative Humidity	RH	15		85	%	
Supply Voltage	Vcc	0		3.6	V	
Data Input Voltage		-0.3		3.6	V	
Control Input Voltage		-0.3		4	V	
Data Rate	DR		53.125 ± 100ppm		GBd	
Bit Error Rate	BER			2.4E ⁻⁴		1
Supported Link Length on 9/125µm SMF @53.125GBd	L		20		km	2

Notes:

1. Tested with a PRBS31Q test pattern for 53.125GBd operation.
2. Distances are based on FC-PI-6 Rev. 3.1 and IEEE 802.3 standards with FEC.

Electrical Characteristics

Parameter	Symbol	Min.	Typ.	Max.	Unit	Notes
Power Supply Voltage	Vcc	3.13	3.3	3.47	V	
Module Supply Current	Icc			1437	mA	1
Power Dissipation	PD			4500	mW	
Transmitter						
Differential Input Impedance	ZIN	90	100	110	Ω	
Differential Data Input Swing	VIN,pp	180		900	mVp-p	
Receiver						
Differential Output Impedance	ZOUT	90	100	110	Ω	
Differential Data Output Swing	VOUT,pp	300		900	mVp-p	

Notes:

1. The maximum current is calculated at the minimum supply voltage.

Optical Characteristics

Parameter	Symbol	Min.	Typ.	Max.	Unit	Notes
Transmitter						
Average Launch Optical Power	Po	-0.2		6.6	dBm	1
Launch Optical Power (OMA)	Poma	2.8		6.8	dBm	2
		1.4+TDECQ				3
Extinction Ratio	ER	3.5			dB	
Center Wavelength	λ_C	1304.5	1311	1317.5	nm	
Transmitter and Dispersion Penalty Eye Closure for PAM4	TDECQ			3.6	dB	
Transmitter Eye Closure for PAM4	TECQ			3.4	dB	
RIN _{17,1} OMA (Maximum)	RIN			-136	dB/Hz	
Optical Return Loss Tolerance	ORLT			15.6	dB	
POUT @Tx_Disable Asserted	Poff			-15	dBm	
Receiver						
Center Wavelength	λ_C	1284.5	1291	1297.5	nm	
Receiver Sensitivity (OMA)	RxSENS			-7.6	dBm	1, 4
				-9+TECQ		5
Receiver Reflectance				-26	dB	
LOS De-Assert	LOSD			-12	dBm	
LOS Assert	LOSA	-18			dBm	
LOS Hysteresis		0.5			dB	

Notes:

1. Measured with PRBS31Q test pattern, @53.125GBd, and BER<2.4E⁻⁴.
2. TDECQ < 1.4dB.
3. 1.4dB ≤ TDECQ ≤ TDECQ, maximum.
4. TECQ < 1.4dB.
5. 1.4dB < TECQ ≤ 3.6dB.

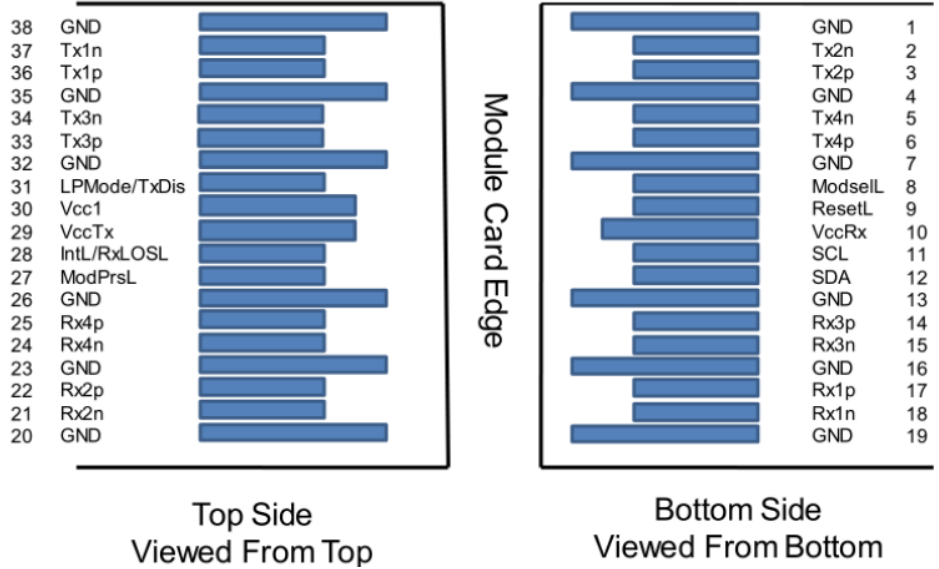
Pin Descriptions

Pin	Logic	Symbol	Name/Description	Notes
1		GND	Module Ground.	1
2	CML-I	Tx2-	Transmitter Inverted Data Input.	
3	CML-I	Tx2+	Transmitter Non-Inverted Data Output.	
4		GND	Module Ground.	1
5	CML-I	Tx4-	Transmitter Inverted Data Input.	
6	CML-I	Tx4+	Transmitter Non-Inverted Data Input.	
7		GND	Module Ground.	1
8	LVTTTL-I	ModSelL	Module Select.	2
9	LVTTTL-I	ResetL	Module Reset.	2
10		VccRx	+3.3V Receiver Power Supply.	
11	LVCNOS-I/O	SCL	2-Wire Serial Interface Clock.	2
12	LVCNOS-I/O	SDA	2-Wire Serial Interface Data.	2
13		GND	Module Ground.	1
14	CML-O	Rx3+	Receiver Non-Inverted Data Output.	
15	CML-O	Rx3-	Receiver Inverted Data Output.	
16		GND	Module Ground.	1
17	CML-O	Rx1+	Receiver Non-Inverted Data Output.	
18	CML-O	Rx1-	Receiver Inverted Data Output.	
19		GND	Module Ground.	1
20		GND	Module Ground.	1
21	CML-O	Rx2-	Receiver Inverted Data Output.	
22	CML-O	Rx2+	Receiver Non-Inverted Data Output.	
23		GND	Module Ground.	1
24	CML-O	Rx4-	Receiver Inverted Data Output.	
25	CML-O	Rx4+	Receiver Non-Inverted Data Output.	
26		GND	Module Ground.	1
27	LVTTTL-O	ModPrsL	Module Present.	
28	LVTTTL-O	IntL/RxLOS	Interrupt. Optionally configurable as RxLOS via the management interface (SFF-8636).	2
29		VccTx	+3.3V Transmitter Power Supply.	
30		Vcc1	+3.3V Power Supply.	
31	LVTTTL-I	LPMode/TxDis	Low-Power Mode. Optionally configurable as TxDis via the management interface (SFF-8636).	2
32		GND	Module Ground.	1
33	CML-I	Tx3+	Transmitter Non-Inverted Data Input.	
34	CML-I	Tx3-	Transmitter Inverted Data Input.	
35		GND	Module Ground.	1
36	CML-I	Tx1+	Transmitter Non-Inverted Data Input.	
37	CML-I	Tx1-	Transmitter Inverted Data Input.	
38		GND	Module Ground.	1

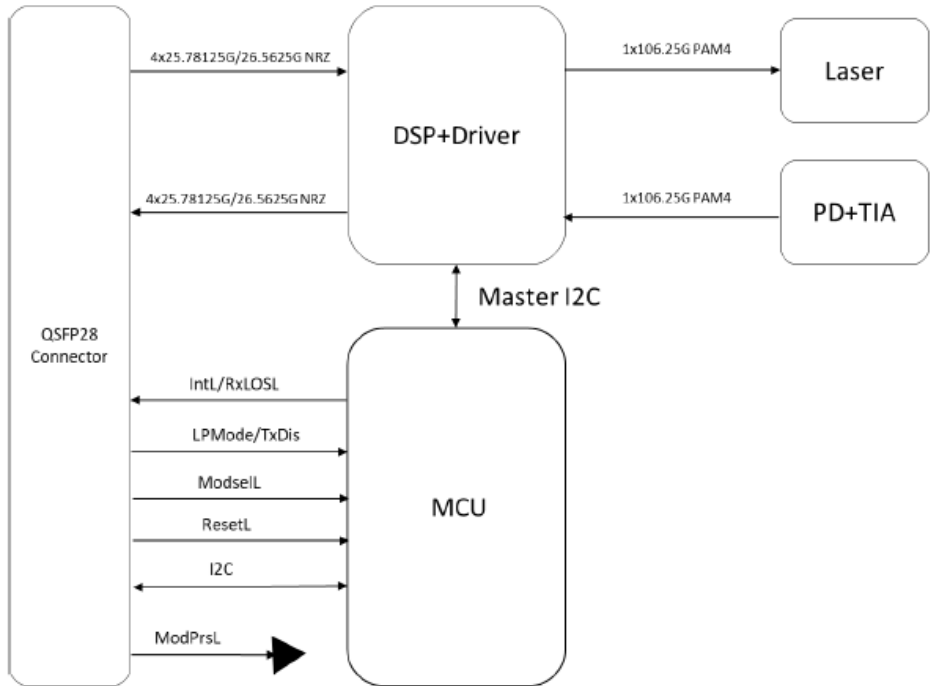
Notes:

1. GND is the symbol for signal and supply (power) common for the module. All are common within the module, and all module voltages are referenced to this potential unless otherwise noted. Connect these directly to the host board signal common ground plane.
2. VccRx, Vcc1, and VccTx are applied concurrently and may be internally connected within the module in any combination. Vcc contacts in SFF-8662 and SFF-8672 each have a steady state current rating of 1A.

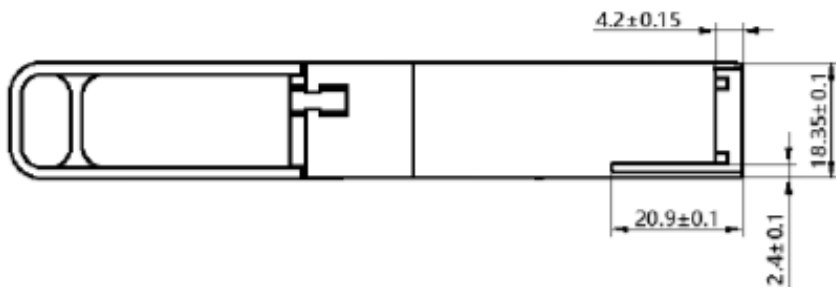
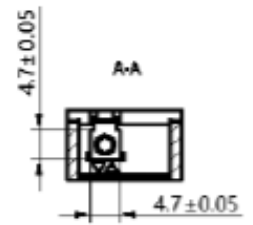
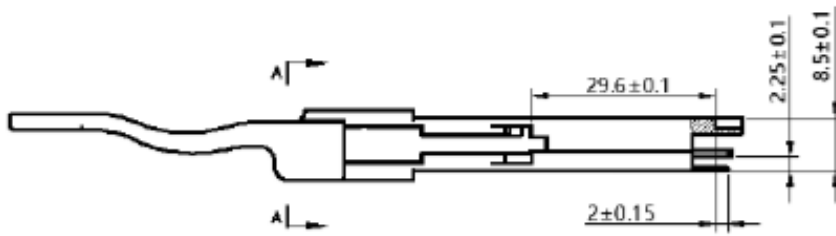
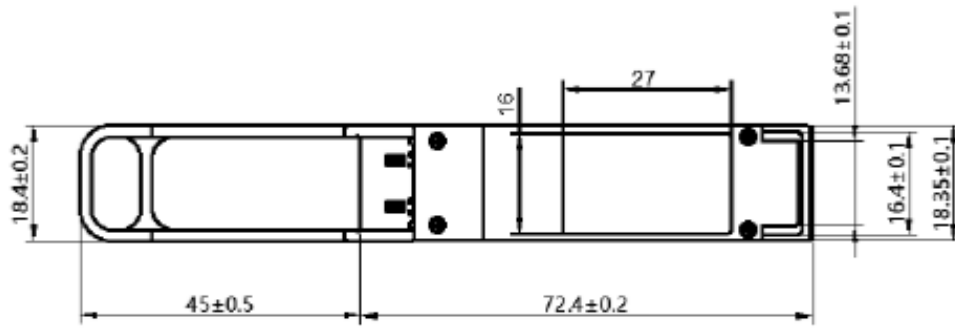
Electrical Pin-Out Details



Block Diagram



Mechanical Specifications



Unit:mm

About AddOn Networks

In 1999, AddOn Networks entered the market with a single product. Our founders fulfilled a severe shortage for compatible, cost-effective optical transceivers that compete at the same performance levels as leading OEM manufacturers. Adhering to the idea of redefining service and product quality not previously had in the fiber optic networking industry, AddOn invested resources in solution design, production, fulfillment, and global support.

Combining one of the most extensive and stringent testing processes in the industry, an exceptional free tech support center, and a consistent roll-out of innovative technologies, AddOn has continually set industry standards of quality and reliability throughout its history.

Reliability is the cornerstone of any optical fiber network and is engrained in AddOn's DNA. It has played a key role in nurturing the long-term relationships developed over the years with customers. AddOn remains committed to exceeding industry standards with certifications from ranging from NEBS Level 3 to ISO 9001:2005 with every new development while maintaining the signature reliability of its products.



U.S. Headquarters

Email: sales@addonnetworks.com

Telephone: +1 877.292.1701

Fax: 949.266.9273

Europe Headquarters

Email: salesupportemea@addonnetworks.com

Telephone: +44 1285 842070