

BEAMER-C50

NEOMOUNTS BEAMER-C50 BEAMER CEILING MOUNT - H 18,5 CM - FULL MOTION

SPECIFICATIONS

GENERAL

Min. weight	0
Max. weight	10

FUNCTIE

Type	Tilt Swivel Full motion
Height adjustment	18,5 cm
Tilt (degrees)	90°
Swivel (degrees)	360°
Adjustment type	Manual

INFORMATION

Color	Black
Main material	Steel
Warranty	5 year

*Please note: The inch sizes stated are just an indication, combined with the weight and VESA sizes. The maximum weight and VESA size are absolute restrictions for the products and should not be exceeded.



Neomounts



Neomounts

Neomounts BEAMER-C50 Beamer ceiling mount - max 10 kg - h 18,5 cm - full motion - black

The Neomounts projector ceiling mount, model BEAMER-C50 is a universal tilt-, swivel and/or rotatable ceiling mount for projectors up to 10 kilograms. This mount is a great choice for an optimal viewing experience. This versatile, ready to install mount, offers the convenience of installation to the ceiling without the need of additional accessories.

Neomounts versatile tilt (90°), rotate and/or swivel (360°) technology allows the mount to change to any viewing angle to fully benefit from the capabilities of the projector. The mount has a fixed height of 18,5 centimetres. An innovative cable management conceals and routes cables from ceiling to projector. Hide your cables to keep the installation nice and tidy.

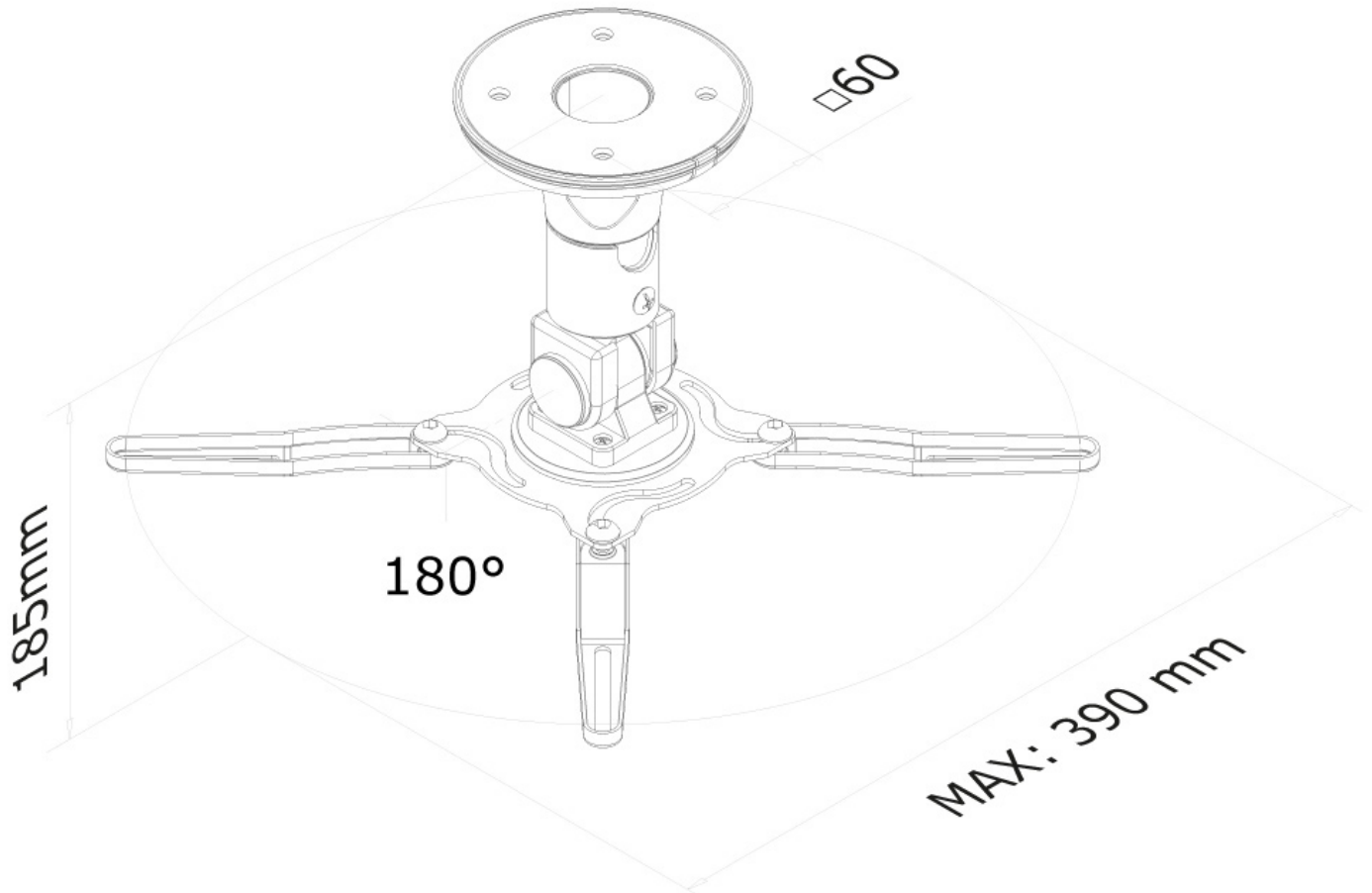
Neomounts BEAMER-C50 has two pivot points and is suitable for most projectors. The weight capacity of this product is 10 kilograms. This universal ceiling mount is easy to install and suitable for projectors using the mounting holes on the bottom side of the projector. The legs included with this mount, cover most projector hole patterns.

Projector mounts are ideal for use in offices, schools, hospitals or at home.

All installation material is included with the product.

BEAMER-C50

NEOMOUNTS BEAMER-C50 BEAMER CEILING MOUNT - H 18,5 CM - FULL MOTION



Neomounts