

FPMA-D700DD3

SPECIFICATIONS

GENERAL

Min. screen size*	10
Max. screen size*	27
Min. weight	0
Max. weight	8
Screens	3
Desk mount	Grommet Stand
VESA maximum	100x100 mm
VESA minimum	75x75 mm

FUNCTIE

Type	Rotate Swivel
Height adjustment	34-45 cm
Width adjustment	32-130 cm
Depth adjustment	7 cm
Swivel (degrees)	45°
Rotate (degrees)	360°
Adjustment type	Manual

INFORMATION

Color	Black
Main material	Steel
Warranty	5 year

*Please note: The inch sizes stated are just an indication, combined with the weight and VESA sizes. The maximum weight and VESA size are absolute restrictions for the products and should not be exceeded.

NEOMOUNTS FPMA-D700DD3 MONITOR STAND 10-27"



Neomounts



Neomounts

Neomounts FPMA-D700DD3 Triple monitor stand - 10-27" - 0-8 kg/screen - black

The Neomounts desk mount, model FPMA-D700DD3 is a tilt- and rotatable desk mount for 3 flat screens up to 27". This mount is a great choice for space saving placement on desks using a desk stand or grommet mount.

Neomounts versatile rotate (360°) and swivel (45°) technology allows the mount to change to any viewing angle to fully benefit from the capabilities of the flat screen. The mount is manually height adjustable from 32 to 42 centimetres. Depth 7 centimetres. An innovative cable management conceals and routes cables from mount to flat screen. Hide your cables to keep the workplace nice and tidy.

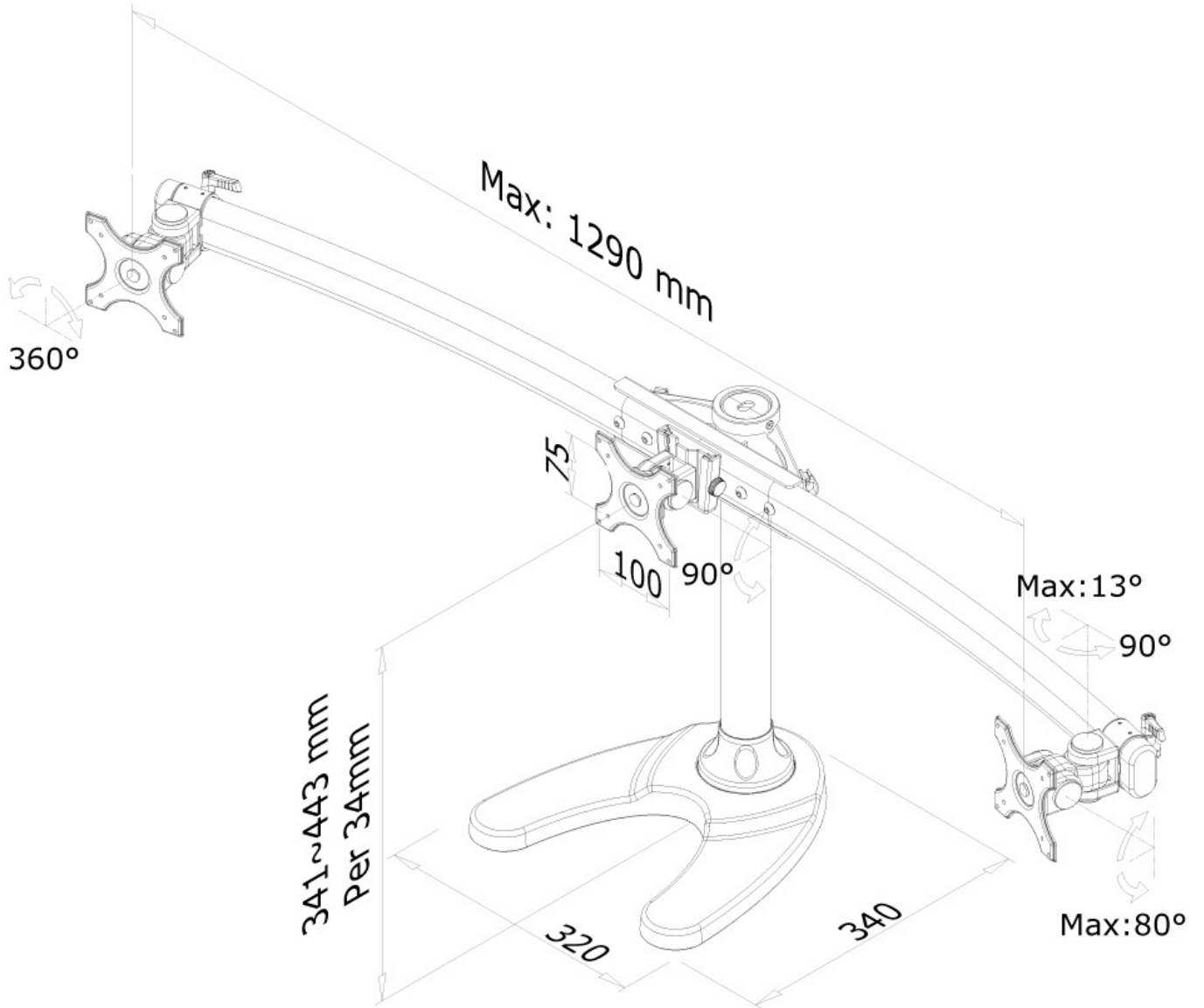
Neomounts FPMA-D700DD3 has one pivot point and is suitable for screens up to 27" (69 cm). The weight capacity of this product is 8 kg each screen. The desk mount is suitable for screens that meet VESA hole pattern 75x75 or 100x100mm. Different hole patterns can be covered using Neomounts VESA adapter plates.

By using an ergonomic mount neck- and back complaints can be avoided. Ideal for use in offices and on counters or in a reception area.

All installation material is included with the product.

FPMA-D700DD3

NEOMOUNTS FPMA-D700DD3 MONITOR STAND
10-27"



Neomounts

Measuring unit: mm