

## FPMA-D700DDV

### SPECIFICATIONS

#### GENERAL

Min. screen size*	10
Max. screen size*	27
Min. weight	0
Max. weight	6
Screens	2
Desk mount	Grommet Stand
VESA maximum	100x100 mm
VESA minimum	75x75 mm

#### FUNCTIE

Type	Tilt Rotate Swivel Full motion
Height adjustment	0-70 cm
Depth adjustment	13 cm
Tilt (degrees)	180°
Swivel (degrees)	180°
Rotate (degrees)	360°
Adjustment type	Manual

#### INFORMATION

Color	Black
Main material	Steel
Warranty	5 year

\*Please note: The inch sizes stated are just an indication, combined with the weight and VESA sizes. The maximum weight and VESA size are absolute restrictions for the products and should not be exceeded.

## NEOMOUNTS FPMA-D700DDV MONITOR STAND 10-27"



Neomounts



Neomounts

### Neomounts FPMA-D700DDV Dual monitor stand - 10-27" - 0-6 kg/screen - vertical installation - black

The Neomounts desk mount, model FPMA-D700DDV is a tilt-, swivel and rotatable desk mount for 2 flat screens up to 27". This mount is a great choice for space saving placement on desks using a desk stand or grommet mount.

Neomounts versatile tilt (180°), rotate (360°) and swivel (180°) technology allows the mount to change to any viewing angle to fully benefit from the capabilities of the flat screen. The mount is manually height adjustable from 0 to 70 centimetres. Depth 13 centimetres.

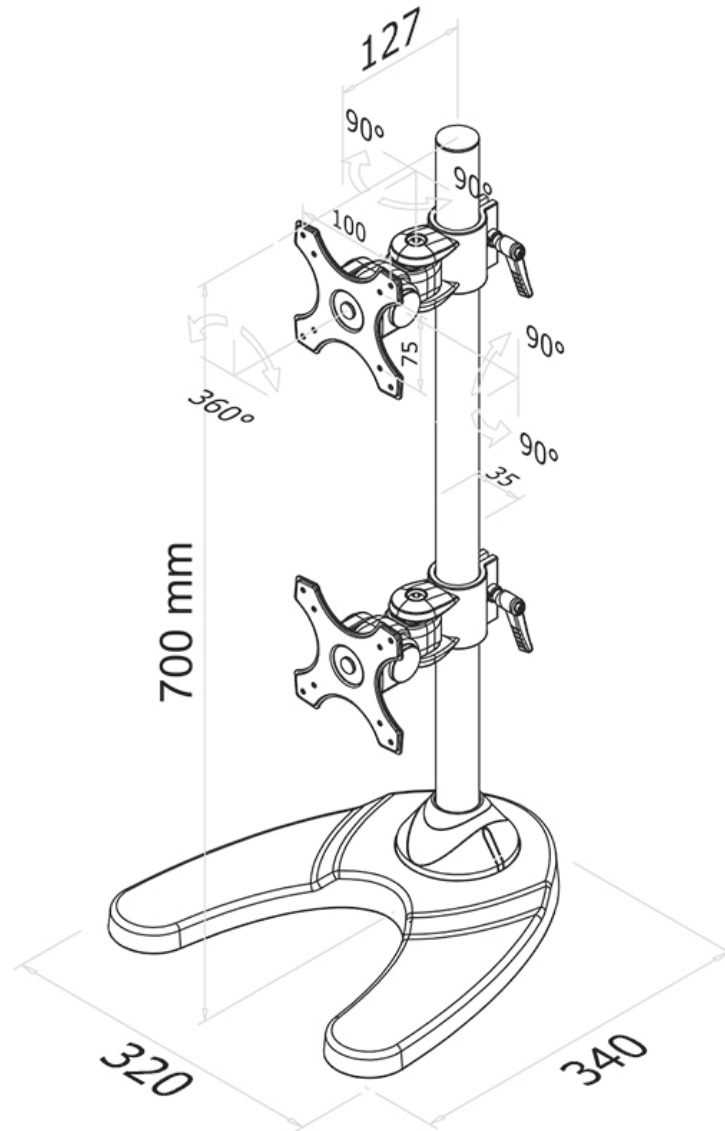
Neomounts FPMA-D700DDV has two pivot points and is suitable for screens up to 27" (69 cm). The weight capacity of this product is 6 kg each screen. The desk mount is suitable for screens that meet VESA hole pattern 75x75 or 100x100mm. Different hole patterns can be covered using Neomounts VESA adapter plates.

By using an ergonomic mount neck- and back complaints can be avoided. Ideal for use in offices and on counters or in a reception area.

All installation material is included with the product.

FPMA-D700DDV

NEOMOUNTS FPMA-D700DDV MONITOR STAND  
10-27"



Neomounts

Measuring unit: mm