

FPMA-HAW200

SPECIFICATIONS

GENERAL

Min. screen size*	10
Max. screen size*	27
Min. weight	1
Max. weight	7
Screens	1
VESA maximum	100x100 mm
VESA minimum	75x75 mm

FUNCTIE

Type	Tilt Swivel Full motion
Height adjustment	0-149 cm
Depth adjustment	0-149 cm
Tilt (degrees)	55°
Swivel (degrees)	370°
Adjustment type	Gas spring

INFORMATION

Color	White
Main material	Aluminium
Warranty	5 year

*Please note: The inch sizes stated are just an indication, combined with the weight and VESA sizes. The maximum weight and VESA size are absolute restrictions for the products and should not be exceeded.

NEOMOUNTS FPMA-HAW200 MEDICAL MONITOR ARM WALL 10-27" - H 0-149 CM - GAS SPRING



Neomounts

Neomounts

Neomounts FPMA-HAW200 Medical monitor arm wall - 10-27" - h 0-149 cm - 1-7 kg - VESA 75x75-100x100 - gas spring - white

The Neomounts wall mount, model FPMA-HAW200 is a tilt- and swivel wall mount for medical flat screens up to 27". This mount is a great choice for space saving placement or when ceiling mounting and floor placement is not an option.

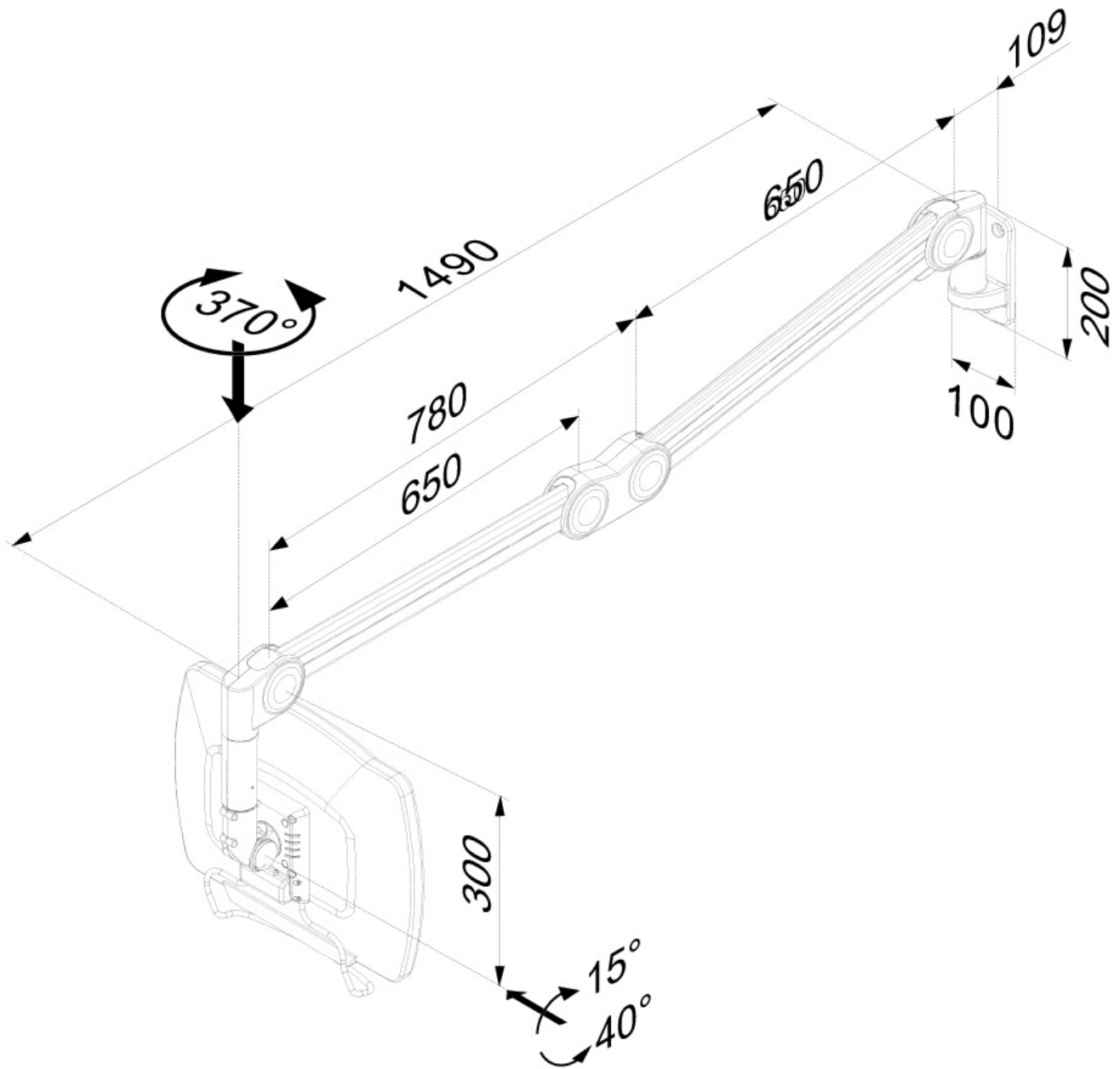
Neomounts versatile tilt (55°) and swivel (370°) technology allows the mount to change to any viewing angle to fully benefit from the capabilities of the flat screen. The support is easily height adjustable from 0 to 149 centimetres using a gas spring. Depth adjustable from 0 to 149 centimetres. An innovative cable management conceals and routes cables from mount to flat screen. Hide your cables to keep the workplace nice and tidy.

Neomounts FPMA-HAW200 has two pivot points and is suitable for screens up to 27" (69 cm). The weight capacity of this product is 7 kg each screen. The ceiling mount is suitable for screens that meet VESA hole pattern 75x75 or 100x100mm. Different hole patterns can be covered using Neomounts VESA adapter plates.

All installation material is included with the product.

FPMA-HAW200

NEOMOUNTS FPMA-HAW200 MEDICAL MONITOR
ARM WALL 10-27" - H 0-149 CM - GAS SPRING



Neomounts

Measuring unit: mm