

## FPMA-DTB100

### SPECIFICATIONS

#### GENERAL

Min. screen size*	10
Max. screen size*	24
Min. weight	0
Max. weight	10
Screens	3
VESA minimum	75x75 mm
VESA maximum	100x100 mm
Desk mount	Clamp

#### FUNCTIE

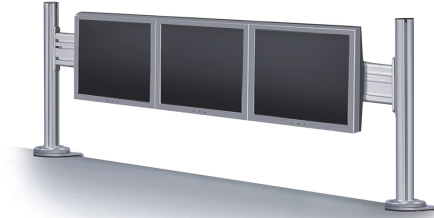
Type	Fixed
Height adjustment	0-42 cm
Depth adjustment	8 cm
Adjustment type	Manual

#### INFORMATION

Color	Silver
Main material	Aluminium
Warranty	5 year

\*Please note: The inch sizes stated are just an indication, combined with the weight and VESA sizes. The maximum weight and VESA size are absolute restrictions for the products and should not be exceeded.

## NEOMOUNTS FPMA-DTB100 TOOLBAR DESK RAIL 10-24"



Neomounts



Neomounts

### Neomounts FPMA-DTB100 Toolbar desk rail for 1-3 screens - 10-24" - max 10 kg/screen - VESA 75x75-100x100 - combinable with FPMA-DTBW100/DTBW200 - silver

With the Neomounts FPMA-DTB100 toolbar desk rail, you can install up to 3 screens from 10-24" and maximum 10 kg per screen to the tabletop using a desk clamp. On the 130 cm wide toolbar, screens can easily be moved from left to right, utilizing the full functionality of the screens. The toolbar desk rail is supplied without monitor bracket; these should be ordered separately. Each screen requires one bracket.

There are various monitor brackets available that can be combined with the FPMA-DTB100 toolbar desk mount:

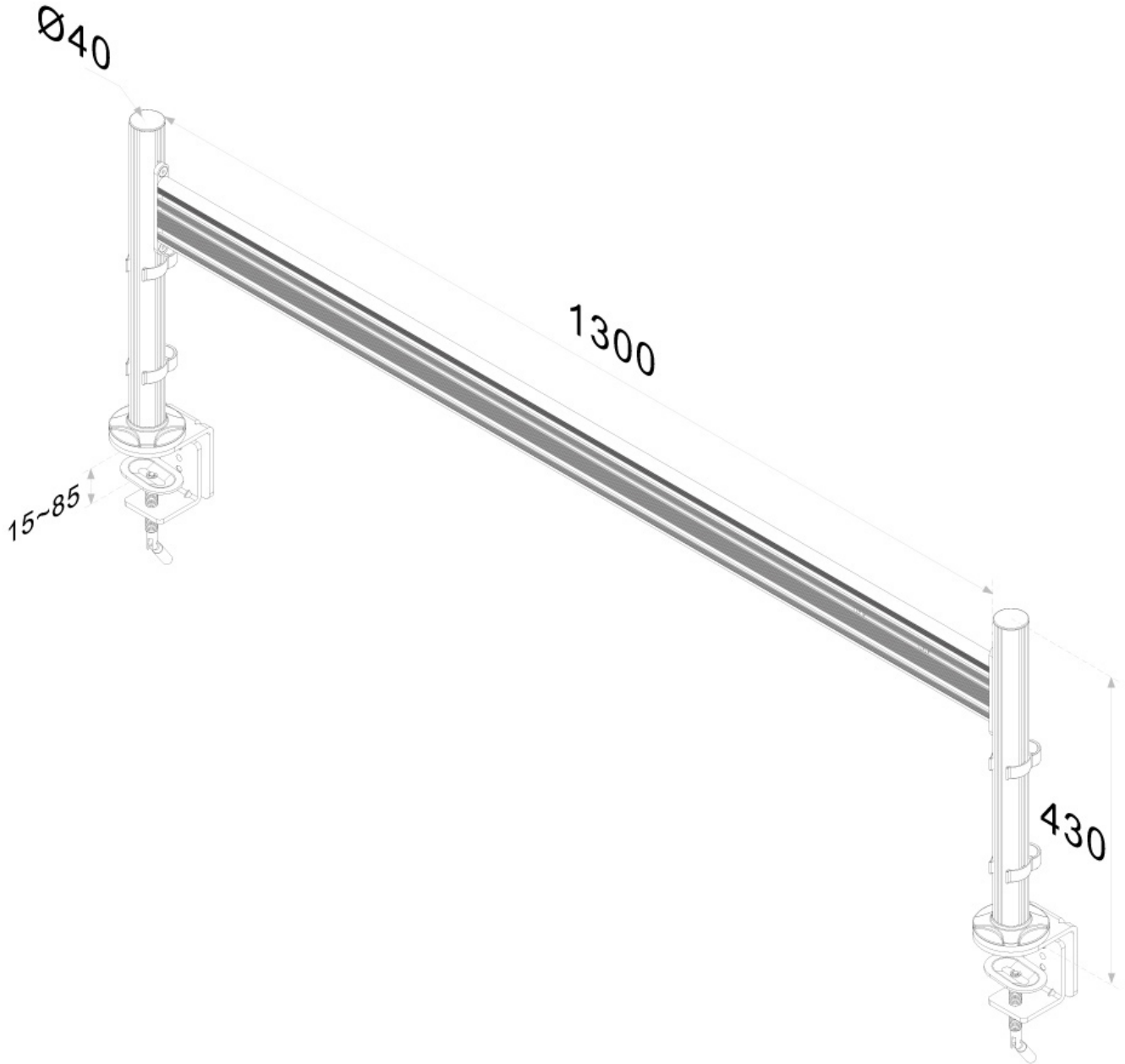
\* The FPMA-DTBW100 monitor bracket is 8 cm deep and can both tilt and rotate. Its maximum capacity is 8 kg.

\* The FPMA-DTBW200 monitor bracket is 12 cm deep and features a tilt, rotate and swivel option. The maximum capacity of this bracket is 10 kg.

Both monitor brackets are suitable for screens with a VESA hole pattern of 75x75 and 100x100 mm. FPMA-DTB100 toolbar desk mount features cable clips so cables can be easily and neatly routed.

FPMA-DTB100

NEOMOUNTS FPMA-DTB100 TOOLBAR DESK RAIL  
10-24"



Neomounts

Measuring unit: mm