

## FPMA-C100WHITE

### SPECIFICATIONS

#### GENERAL

Min. screen size*	10
Max. screen size*	30
Min. weight	0
Max. weight	12
Screens	1
VESA maximum	200x100 mm
VESA minimum	75x75 mm

#### FUNCTIE

Type	Tilt Rotate Swivel Full motion
Height adjustment	79-129 cm
Depth adjustment	9 cm
Tilt (degrees)	180°
Swivel (degrees)	180°
Rotate (degrees)	360°
Adjustment type	Manual

#### INFORMATION

Color	White
Main material	Steel
Warranty	5 year

\*Please note: The inch sizes stated are just an indication, combined with the weight and VESA sizes. The maximum weight and VESA size are absolute restrictions for the products and should not be exceeded.

## NEOMOUNTS FPMA-C100WHITE MONITOR/TV MOUNT CEILING 10-30" - H 79-129 CM



### Neomounts FPMA-C100WHITE Monitor/TV mount ceiling 1 screen - 10-30" - max 12 kg - VESA 75x75-200x100 - h 79-129 cm - white

The Neomounts ceiling mount, model FPMA-C100WHITE is a tilt- and swivel ceiling mount for flat screens up to 30". This mount is a great choice for space saving placement or when wall mounting and floor placement is not an option.

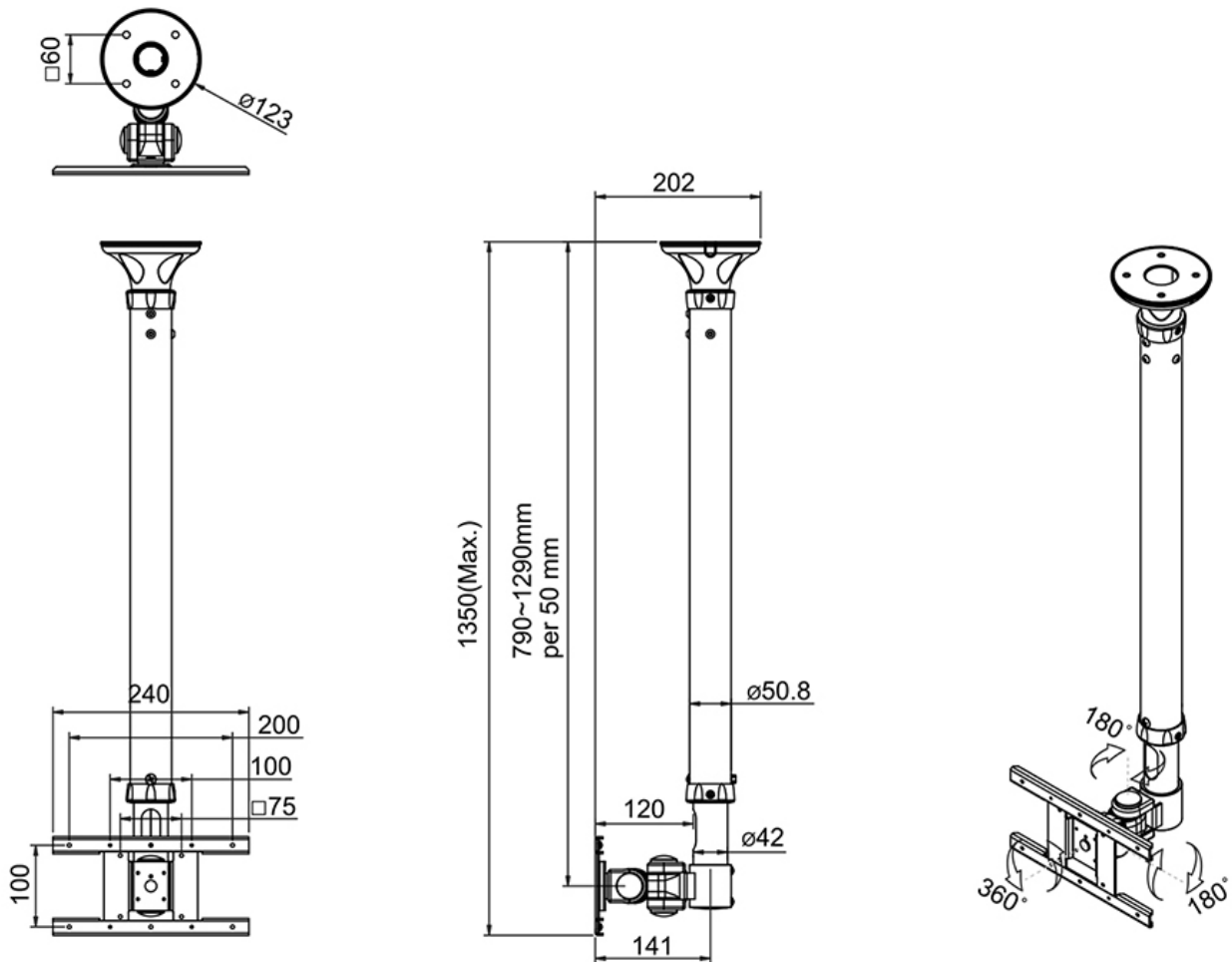
Neomounts versatile tilt (180°), rotate (360°) and swivel (180°) technology allows the mount to change to any viewing angle to fully benefit from the capabilities of the flat screen. The support is easily height adjustable from 79 to 129 centimetres. An innovative cable management conceals and routes cables from ceiling to TV. Hide your cables in the column to keep it nice and tidy.

Neomounts FPMA-C100WHITE has two pivot points and is suitable for screens up to 30" (76 cm). The weight capacity of this product is 12 kg. The ceiling mount is suitable for screens that meet VESA hole pattern 75x75 or 100x100mm. Different hole patterns can be covered using Neomounts VESA adapter plates.

All installation material is included with the product.

FPMA-C100WHITE

NEOMOUNTS FPMA-C100WHITE MONITOR/TV  
MOUNT CEILING 10-30" - H 79-129 CM



Neomounts

Measuring unit: mm