

FPMA-D890WHITE

SPECIFICATIONS

GENERAL

Min. screen size*	10
Max. screen size*	30
Min. weight	0
Max. weight	6
Screens	1
VESA minimum	75x75 mm
VESA maximum	100x100 mm
Desk mount	Stand

FUNCTIE

Type	Tilt
	Rotate
	Swivel
	Full motion
Height adjustment	36-54 cm
Depth adjustment	6 cm
Tilt (degrees)	80°
Swivel (degrees)	60°
Rotate (degrees)	360°
Adjustment type	Manual

INFORMATION

Color	White
Main material	Steel
Warranty	5 year

*Please note: The inch sizes stated are just an indication, combined with the weight and VESA sizes. The maximum weight and VESA size are absolute restrictions for the products and should not be exceeded.

NEOMOUNTS FPMA-D890WHITE MONITOR STAND 10-30"



Neomounts FPMA-D890WHITE Single monitor stand - 10-30" - 0-6 kg - white

The Neomounts desk mount, model FPMA-D890WHITE is a tilt-, swivel and rotatable desk mount for flat screens up to 30". This mount is a great choice for space saving placement on desks using a desk stand.

Neomounts versatile tilt (80°), rotate (360°) and swivel (60°) technology allows the mount to change to any viewing angle to fully benefit from the capabilities of the flat screen. The mount is manually height adjustable from 36 to 54 centimetres. Depth 6 centimetres.

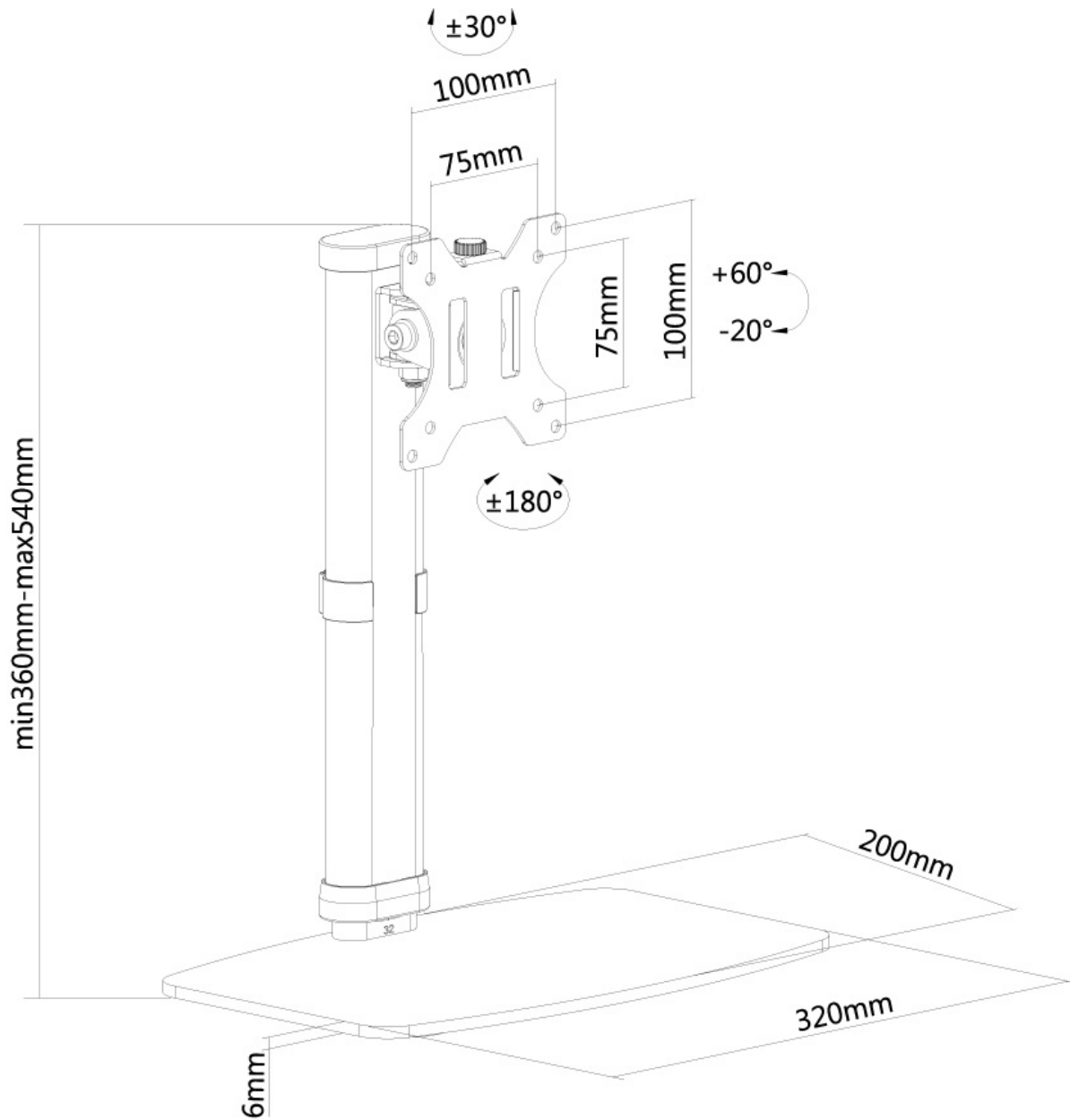
Neomounts FPMA-D890WHITE has two pivot points and is suitable for screens up to 30" (76 cm). The weight capacity of this product is 6 kg each screen. The desk mount is suitable for screens that meet VESA hole pattern 75x75 or 100x100mm. Different hole patterns can be covered using Neomounts VESA adapter plates.

By using an ergonomic mount neck- and back complaints can be avoided. Ideal for use in offices and on counters or in a reception area.

All installation material is included with the product.

FPMA-D890WHITE

NEOMOUNTS FPMA-D890WHITE MONITOR STAND
10-30"



Neomounts