

## FPMA-D1500SILVER

### SPECIFICATIONS

#### GENERAL

Min. screen size*	10
Max. screen size*	32
Max. weight	10
Screens	1
Desk mount	Stand
VESA maximum	100x100 mm
VESA minimum	50x50 mm

#### FUNCTIE

Tilt (degrees)	180°
Height	33 cm
Width	31,2 cm
Depth	23,7 cm
Adjustment type	None

#### INFORMATION

Color	Silver
Main material	Steel
Warranty	5 year

\*Please note: The inch sizes stated are just an indication, combined with the weight and VESA sizes. The maximum weight and VESA size are absolute restrictions for the products and should not be exceeded.

## NEOMOUNTS FPMA-D1500SILVER MONITOR STAND 10-32"



### Neomounts FPMA-D1500SILVER Single monitor stand - 10-32" - 0-10 kg - VESA 50x50-100x100 - bolt-down - silver

The Neomounts desk mount, model FPMA-D1500SILVER is a tilt mount for flat screens up to 32". This mount is a great choice for placement on desks and counters using a desk stand.

Neomounts versatile tilt (180°) technology allows the mount to change to any viewing angle to fully benefit from the capabilities of the flat screen. The support had a height of 33 centimetres. An innovative cable management conceals and routes cables from mount to flat screen. Hide your cables to keep the workplace nice and tidy.

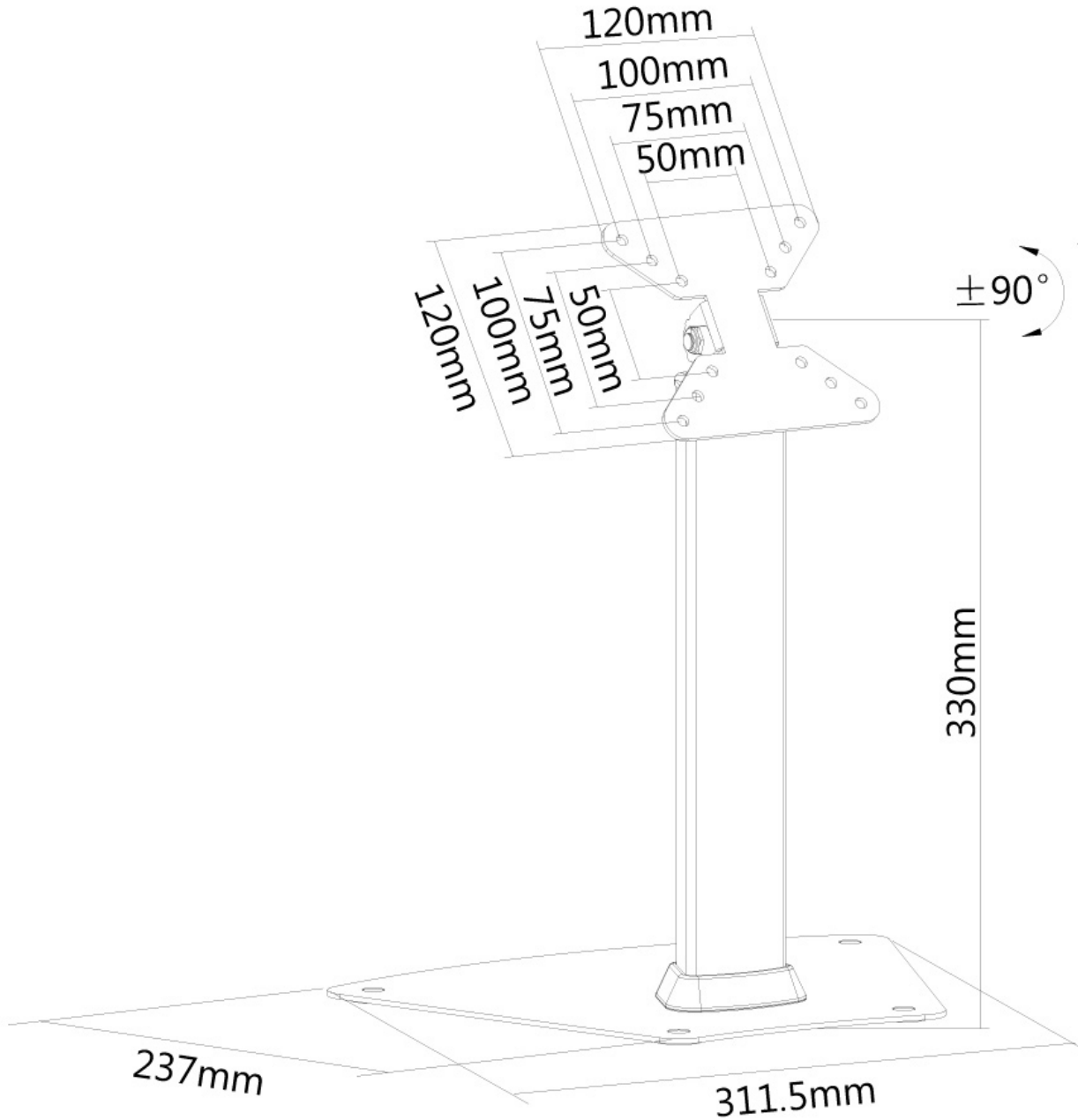
Neomounts FPMA-D1500SILVER is suitable for screens up to 32" (81 cm). The weight capacity of this product is 10 kg. The desk mount is suitable for screens that meet VESA hole pattern 50x50 to 100x100mm. Different hole patterns can be covered using Neomounts VESA adapter plates.

Ideal for use on counters or in a reception area.

All installation material is included with the product.

FPMA-D1500SILVER

NEOMOUNTS FPMA-D1500SILVER MONITOR  
STAND 10-32"



Neomounts