

FPMA-HAW050

SPECIFICATIONS

GENERAL

Min. screen size*	10
Max. screen size*	40
Min. weight	0
Max. weight	10
Screens	1
VESA maximum	400x400 mm
VESA minimum	100x100 mm

FUNCTIE

Type	Tilt Rotate Swivel
Depth adjustment	15-102 cm
Tilt (degrees)	30°
Swivel (degrees)	180°
Rotate (degrees)	360°
Pivot points	3

INFORMATION

Color	White
Main material	Steel
Warranty	5 year

*Please note: The inch sizes stated are just an indication, combined with the weight and VESA sizes. The maximum weight and VESA size are absolute restrictions for the products and should not be exceeded.

NEOMOUNTS FPMA-HAW050 MEDICAL TV MOUNT WALL 10-40" - FULL MOTION



Neomounts

Neomounts

Neomounts FPMA-HAW050 Medical TV mount wall - 10-40" - max 10 kg - VESA 100x100-400x400 - full motion - white

The Neomounts wall mount, model FPMA-HAW050 is a tilt-, turn- and swivel wall mount for medical flat screens up to 40". This mount is a great choice for space saving placement or when ceiling mounting and floor placement is not an option.

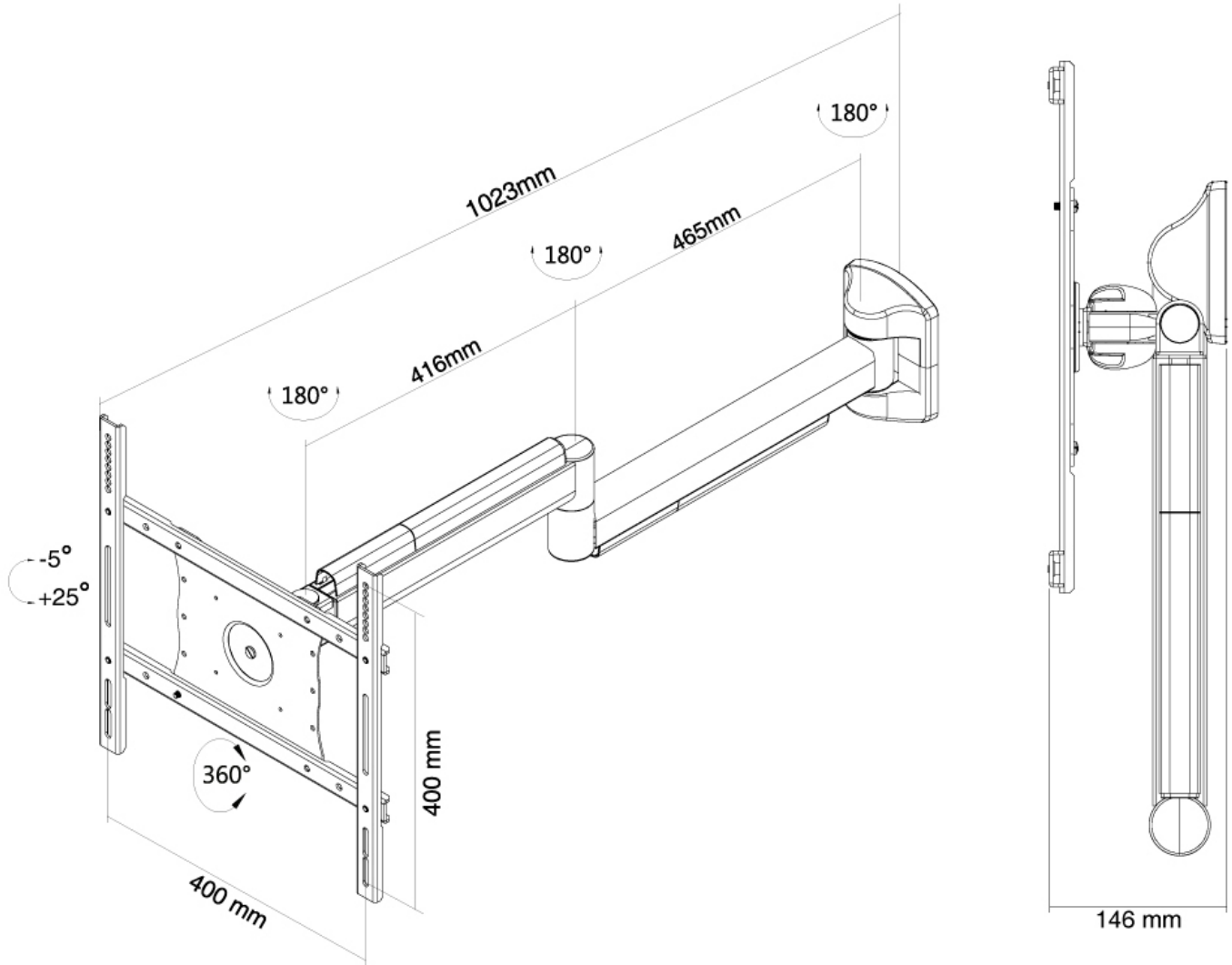
Neomounts' unique tilt (30°), turn (360°) and swivel (180°) technology allows the mount to change to any viewing angle to fully benefit from the capabilities of the flat screen. The support is easily depth adjustable from 15 to 102 centimetres. An innovative cable management conceals and routes cables from mount to flat screen. Hide your cables to keep the workplace nice and tidy.

Neomounts FPMA-HAW050 has three pivot points and is suitable for screens up to 40" (102 cm). The weight capacity of this product is 10 kg. The wall mount is suitable for screens that meet VESA hole pattern 100x100 to 400x400mm. Different hole patterns can be covered using Neomounts VESA adapter plates.

All installation material is included with the product.

FPMA-HAW050

NEOMOUNTS FPMA-HAW050 MEDICAL TV MOUNT
WALL 10-40" - FULL MOTION



Neomounts