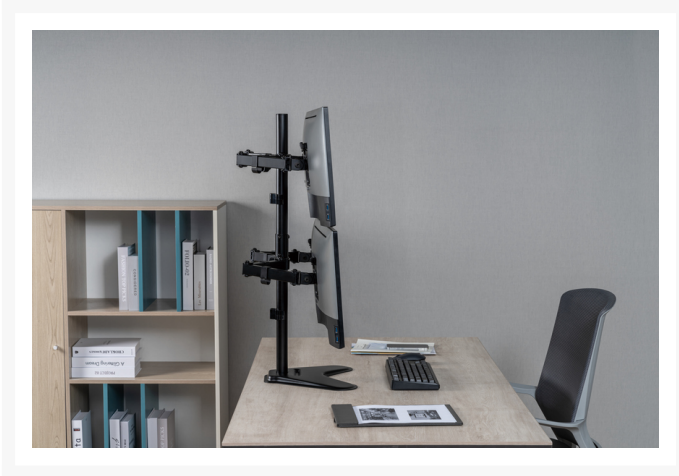


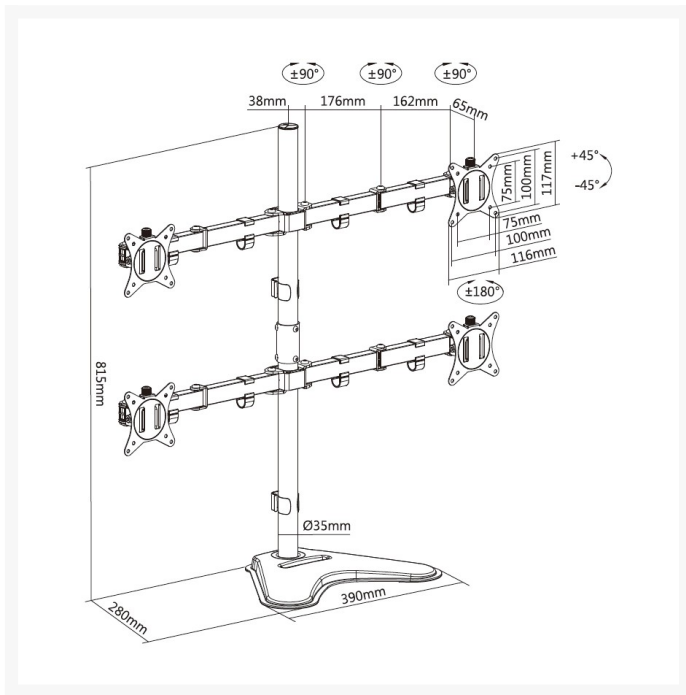


650127 17"-32" Articulating Quad Monitor Tabletop Stand

Product Images







Short Description

1. Max. Load Capacity: 9Kg (per screen)
2. Max. VESA: 100x100
3. Screen Rotation: 360°
4. Freely adjusting height for an optimal ergonomic position
5. Free-tilting design for multiple monitor viewing angles
6. Slide-in VESA plate provides easy access for attachment and detachment
7. Portrait or Landscape Viewing: one solution fits any installation
8. Built-in Cable management

Description

The equip® 650127 Monitor Desk Stand is a compact but sturdy product that ensures a reliable installation of your LCD/LED monitor.

Flexible design for ample adjustment and viewing angles, adjustable for either portrait or landscape orientation. The freestanding base provides stability and support on any work surface. A convenient phone slot located on the base. A detachable VESA plate for user-friendly installation.

Follow the graphic guide included in the package, you can install your monitor on your own with ease.

Additional Information

Approval and compliance	RoHS
Compatible display size	17"-32"
Material	Metal, Plastic
Load capacity (kg)	9
Mount	Desk mount
Pan (Swivel) range	+90°~-90°
No. of supported display	4
Tilt range	+45°~-45°
VESA compatibility	100x100,75x75
Product Size	869x280x850mm
Installation	Freestanding
Anti-Theft	No
Cable Management	Yes
Support Curved TV	No
Quick Release VESA Plate	No
Product weight (kg)	6.4
Product breadth (mm)	280
Product depth (mm)	850
Product height (mm)	869
Color	Black
EAN	4015867228241
Model number	650127
Package contents	650127/manual/screws/CE document
TV size	17"-32"

